



Philips 1394 'Firewire'

The Next Generation in 1394 Solutions

James Snider

1394 Marketing Manager

jsnider@abq.sc.philips.com

AML 96/07 1

Philips 1394 IC's

- **PDI1394L11**

- * Audio Video Link Layer Device
- * Digital Video Support (IEC 1883) in Hardware
- * Sampling Now
- * Production Q2 '97

- **PDI1394P11**

- * Three Port, 200Mb/s Physical Layer Interface
- * Industry Standard Phy/Link Interface
- * Sampling Q1 '97
- * Production Q2 '97

AML 96/07 2

PHILIPS 1394 A/V Link - PDI1394L11

- **Fully IEEE 1394-1995 spec compliant LINK functions**
- **Supports the standard of digital interface for consumer electronics - IEC1883**
- **Can be programmed to support generic high speed isochronous data streams**
- **Asynchronous interface port supports non-time dependent data transfer**
- **Single 3.3V supply, 5V tolerant**

AML 96/07 3

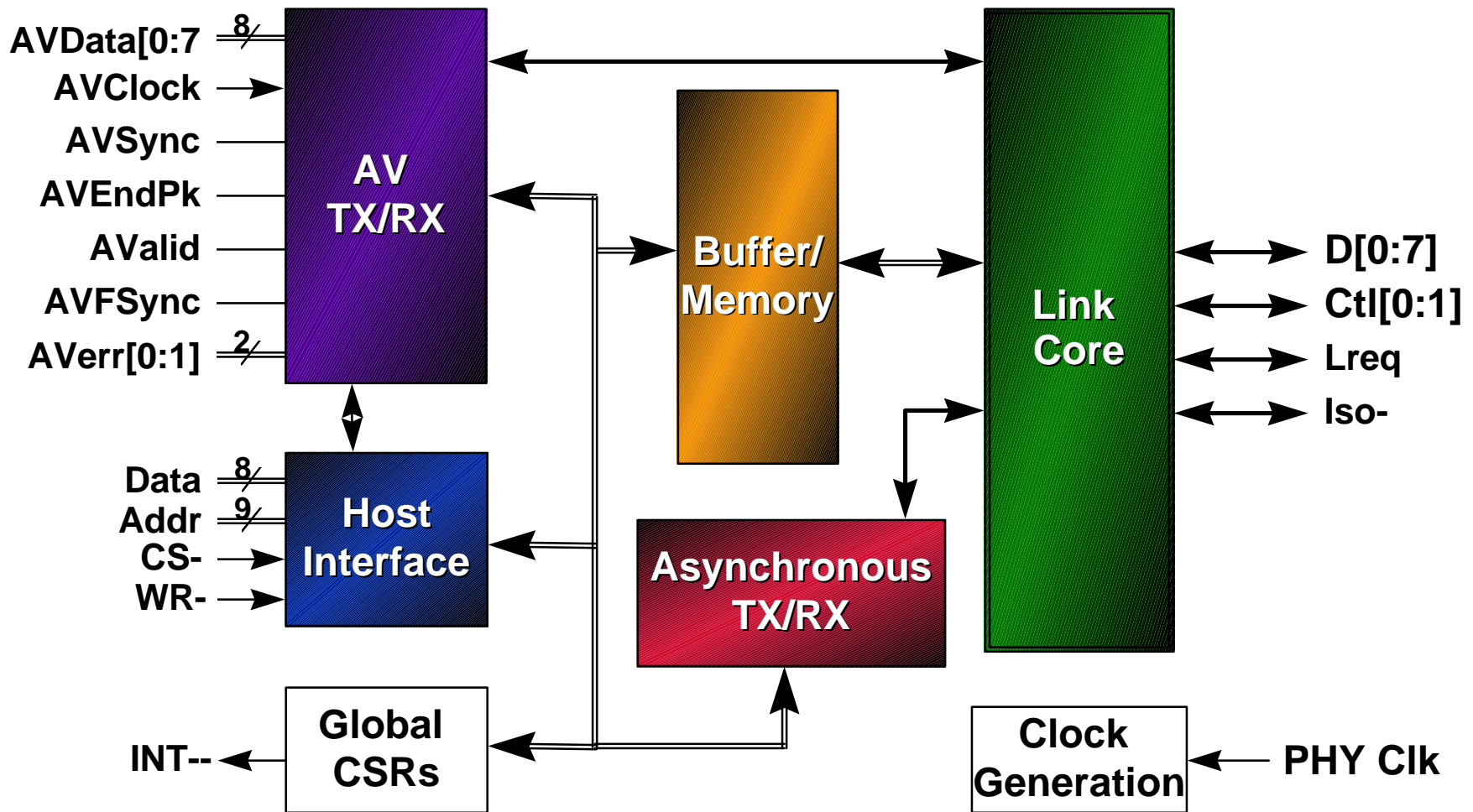
PHILIPS 1394 A/V Link - PDI1394L11

- **Isochronous FIFO, 4K Bytes**
- **Four Asynchronous FIFOs, 256 Bytes each**
- **80-pin PQFP Package**
- **Full datasheets available from web page <http://www.semiconductors.philips.com> or from Fax on Demand 1-800-282-2000 (enter Document Number 4425)**

AML 96/07 4



PDI1394L11 - A/V Link Layer Controller



AML 96/07 5

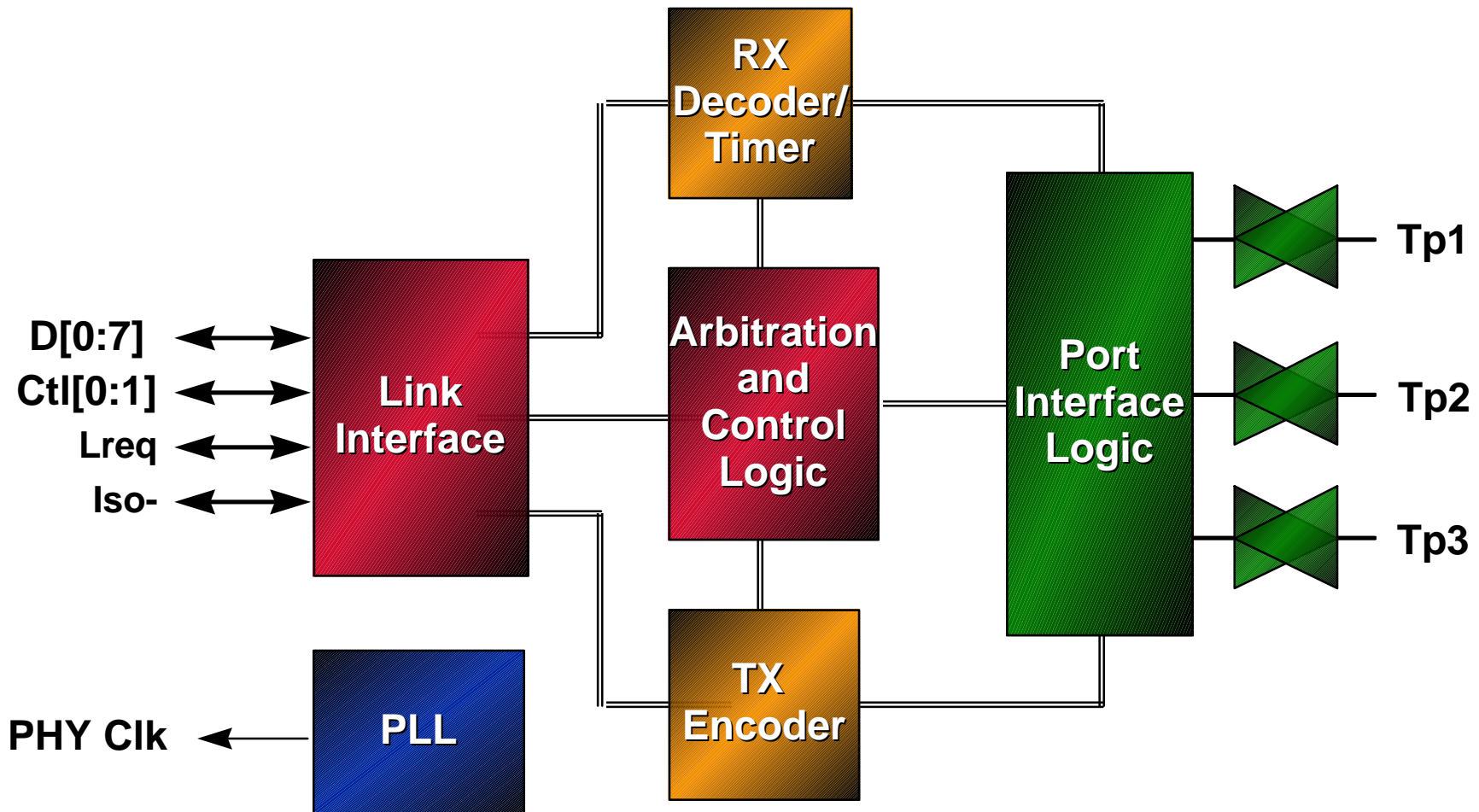
Philips 1394 3-Port PHY - PDI1394P11

- **Supports the IEEE 1394-1995 Standard for a High Performance Serial Bus**
- **Three cable ports capable of 100Mb/s and 200Mb/s data rates**
- **Pin Compatible with the TI 200 Mbps Phy, 64 pin LQFP Package**
- **Single 3.3V supply operation, 5V tolerant**
- **Full datasheets available from web page or from Fax on Demand 1-800-282-2000 (enter Document Number 4435)**

AML 96/07 6



PDI1394P11 - 3-Port 200 Mb/s Physical Layer Interface



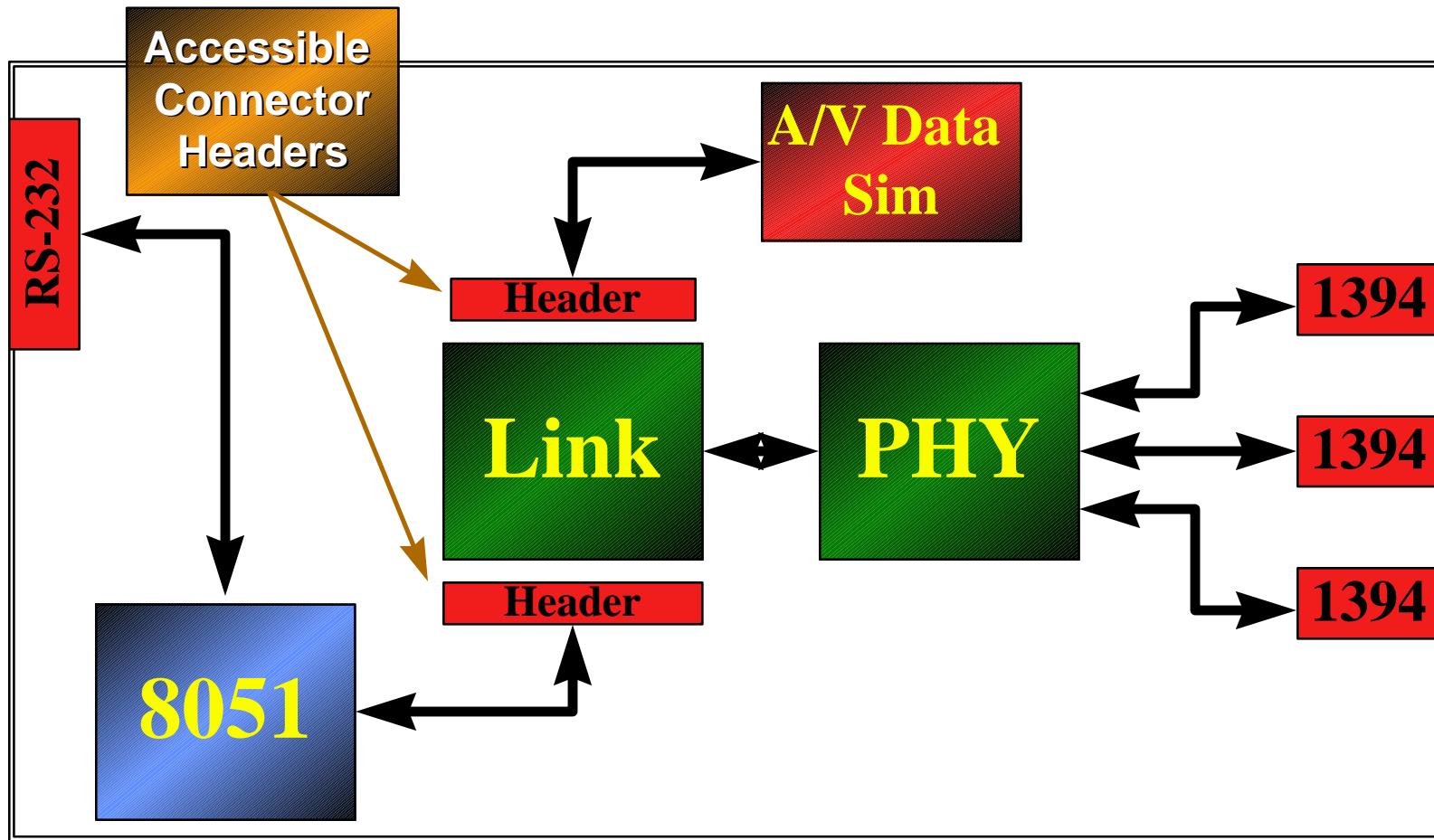
AML 96/07 7

Philips 1394 Prototype Test Board

- **Implements a 1394 Node with A/V Link Controller**
- **Provides an 8051 Software Development platform**
 - * CPLD controlled address decoding for maximum flexibility
 - * 32K RAM and EPROM
 - * RS-232 interface
- **Generates pseudo-AV data streams**
- **Connector Headers for AV and Host ports**
 - * Allows easy connection to other AV sources or host controllers

AML 96/07 8

Philips 1394 Prototype Test Board



AML 96/07 9