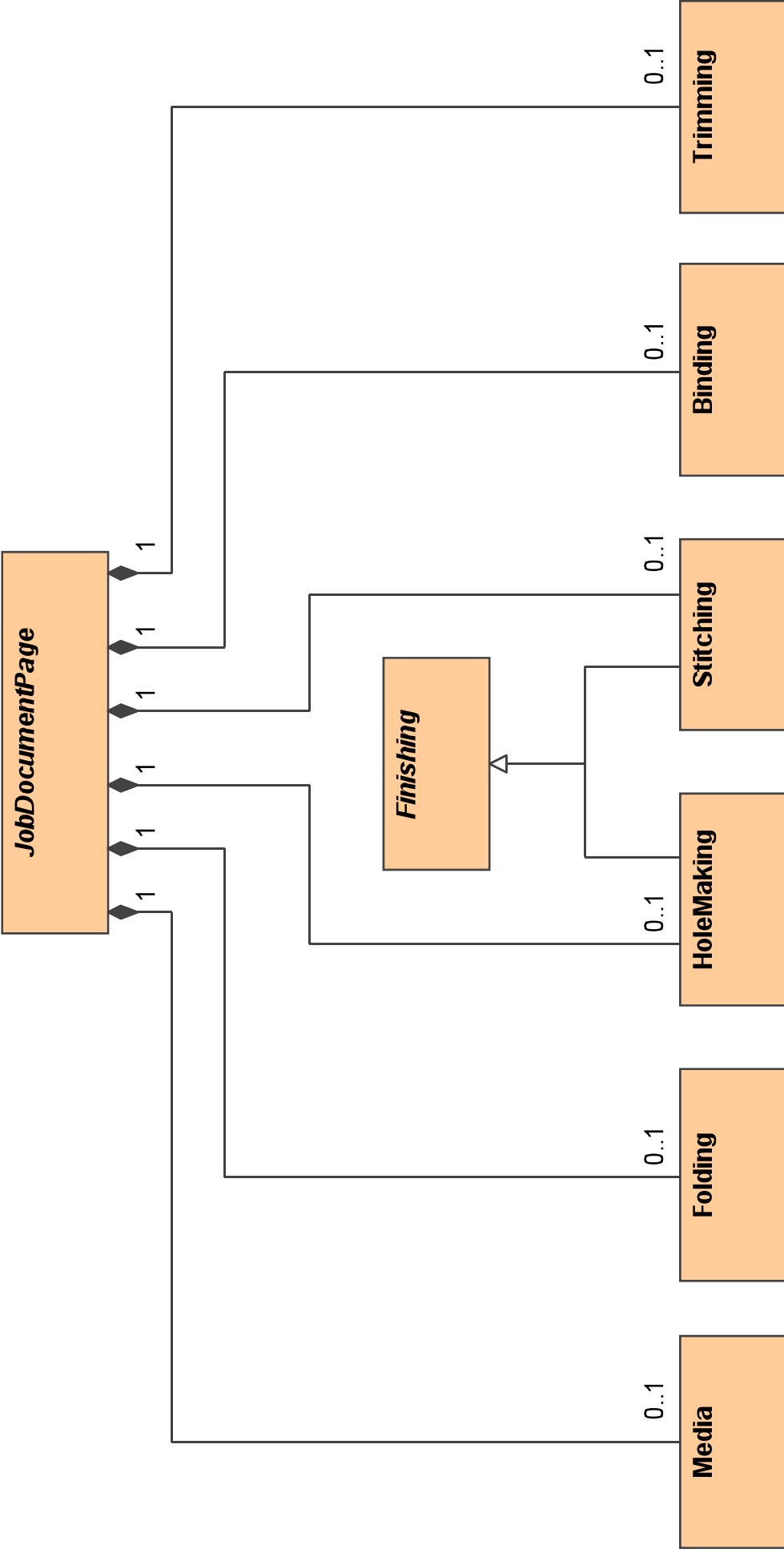


Attribute is used by all classes that have get and set operations.

Attribute
-name : text -type : ValueTypeEnum -values : list
+Attribute(name : text, type : ValueTypeEnum, values : list) : Attribute +getName() : text +getValueType() : ValueTypeEnum +hasNextValue() : boolean +nextValue() : value of type ValueTypeEnum +~Attribute()



Valid get/set attributes:
 jf-api-charset
 jf-api-version
 jf-author-name
 jf-charset
 jf-comment
 jf-id
 jf-mandatory-attributes
 jf-syntax-version
 jf-type
 jf-version

For Version 1.0 of the JTAPl, the following will not be included in the implementation:
 -- Attributes denoted by -- and their associated data members

JobTicketInfo	
-api-charset: text	
-api-version: text	
-authorName: text	
-comment: text	
-id: text	
-job: Job	
-jf-charset: text	
-jf-syntax-version: text	
-jf-version: text	
-mandatoryAttributes: MandatoryAttributesEnum	
-type: JobTicketTypeEnum	
++defineAttributes(name: text, type: ValueTypeEnum, multivalued: boolean)	
+get(attributeName: text): Attribute	
++getAttributesNames(): ListOfText	
+getJob(): Job	
+JobTicketInfoForStream(): Stream, JfCharset: text=UTF-8, type: JobTicketTypeEnum=AUTO_DETECT) : JobTicketInfo	
+JobTicketInfoForJob(): Job, JfCharset: text=UTF-8, type: JobTicketTypeEnum=AUTO_DETECT) : JobTicketInfo	
+set(attribute: Attribute)	
+writeJobTicketStream(jfCharset: text): Stream	
+writeJobTicketStream0(): Stream	
+writeJobTicketUrl(url: text): text, JfCharset: text)	
+~JobTicketInfo()	

JobDocumentPage	
-binding: Binding	
-destinationUrl: text	
-fpPolicy: FpPolicyEnum	
-folding: Folding	
-holeMaking: HoleMaking	
-imagePosition: ImagePositionEnum	
-imageShiftBack: double	
-imageShiftFront: double	
-imageShiftFrontY: double	
-media: Media	
-numberUp: NumberUpEnum	
-outputBinName: OutputBinEnum	
-pageRotation: RotationEnum	
-sides: SidesEnum	
-stitching: Stitching	
-trimming: Trimming	
#+JobDocumentPage()	
#+~JobDocumentPage()	

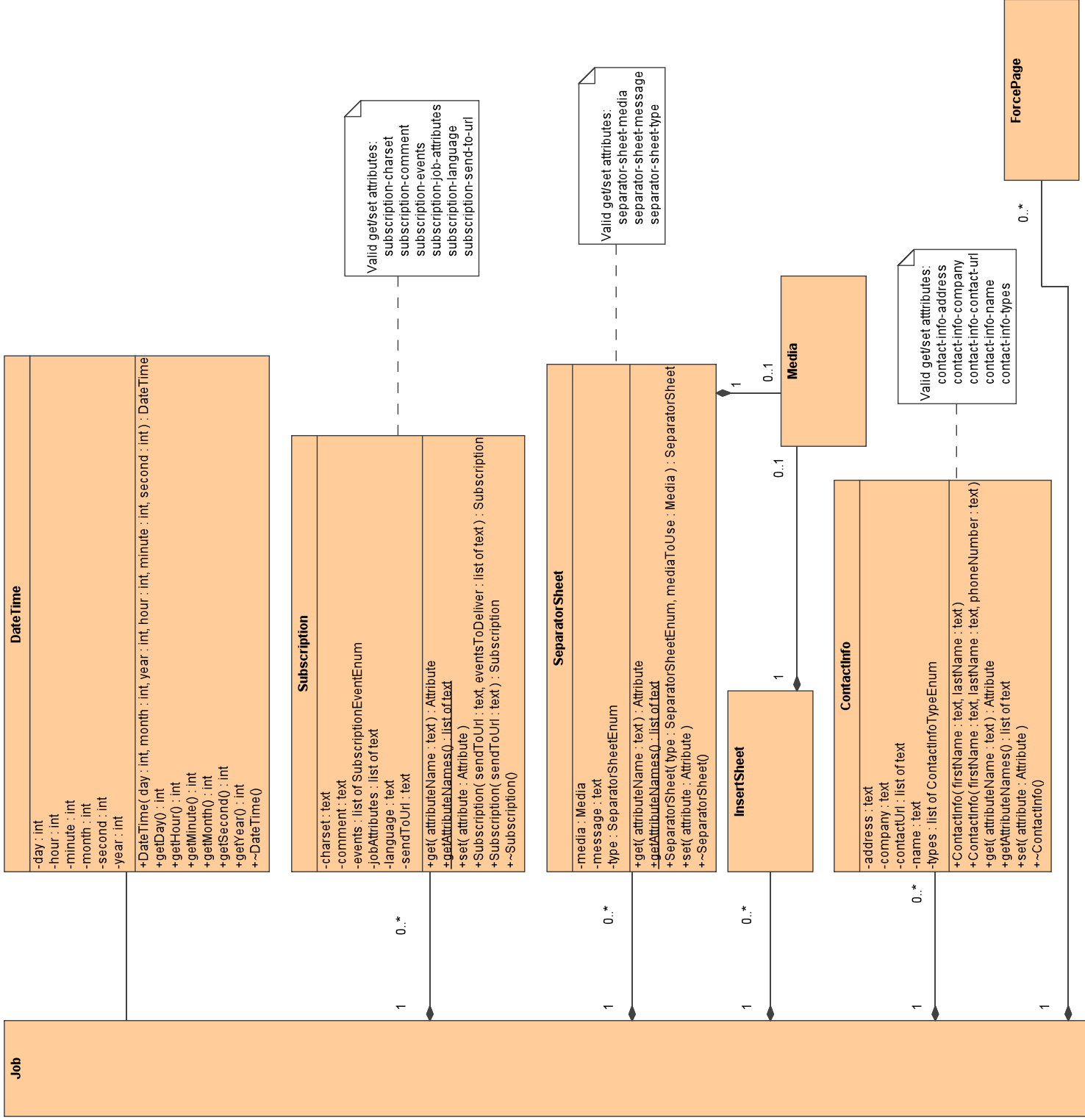
Job	
-billingCode: text	
-clientId: text	
-collate: CollateEnum	
-comment: text	
-compression: CompressionEnum	
-contactInfo: ContactInfo	
-createDate: Date, DateTime	
-createUserName: text	
-documentFormat: DocumentFormatEnum	
-documentNaturalLanguage: text	
-documents: ListOfDocument	
-edgeToEdge: boolean	
-feedOrientation: FeedOrientationEnum	
-forcePages: ListOfForcePage	
-hold: HoldEnum	
-id: int	
-includePages: ListOfRange	
-insertSheets: ListOfInsertSheet	
-jobCopies: int	
-jobOffset: JogOffsetEnum	
-messageToOperator: text	
-name: text	
-notifications: ListOfNotification	
-outputPages: ListOfRange	
-pageDelivery: PageDeliveryEnum	
-pageOverrides: ListOfPageOverrides	
-printerResolutionX: int	
-printQuality: PrintQualityEnum	
-priority: int	
-separatorSheets: ListOfSeparatorSheet	
++defineAttributes(name: text, type: ValueTypeEnum, multivalued: boolean)	
+get(attributeName: text): Attribute	
++getAttributesNames(): ListOfText	
+getDocuments(): ListOfDocument	
+job(document: Document): Job	
+jobs(documents: ListOfDocument): Job	
+set(attribute: Attribute)	
+~Job()	

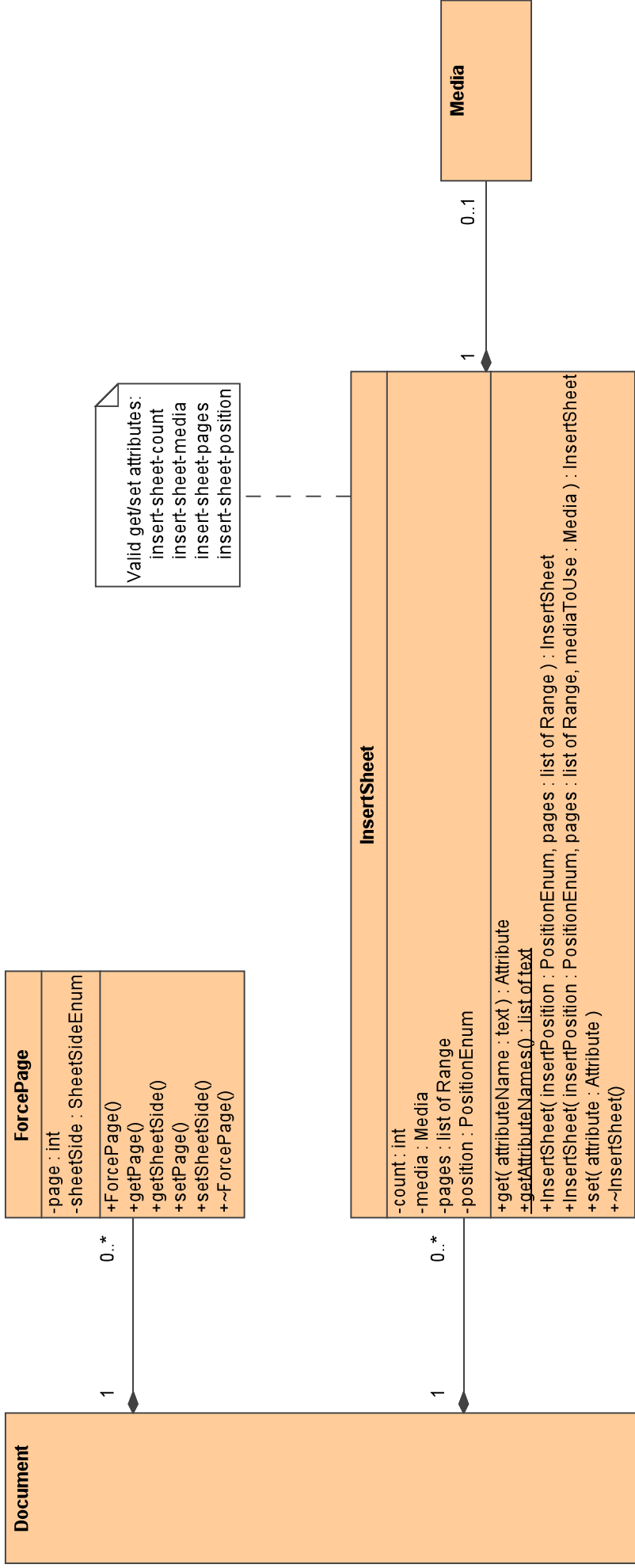
Document	
-compression: CompressionEnum	
-documentCopies: int	
-feedOrientation: FeedOrientationEnum	
-forcePages: ListOfForcePage	
-format: DocumentFormatEnum	
-includePages: ListOfRange	
-insertSheets: ListOfInsertSheet	
-jogOffset: JogOffsetEnum	
-naturalLanguage: text	
-outputPages: ListOfRange	
-pageOverrides: ListOfPageOverrides	
-printQuality: PrintQualityEnum	
-uri: text	
++defineAttributes(name: text, type: ValueTypeEnum, multivalued: boolean)	
+Document(fileName: text)	
+Document()	
+get(attributeName: text): Attribute	
++getAttributesNames(): ListOfText	
+set(attribute: Attribute)	
+~Document()	

Valid get/set attributes:
 *document-binding
 *document-compression
 *document-copies
 *document-destination-uri
 *document-feed-orientation
 *document-fit-policy
 *document-folding
 *document-format
 *document-jog-offset
 *document-hole-making
 *document-image-position-x
 *document-image-position-y
 *document-image-shift-back-x
 *document-image-shift-back-y
 *document-image-shift-front-x
 *document-image-shift-front-y
 *document-include-pages
 *document-insert-sheets
 *document-media
 *document-natural-language
 *document-number-up
 *document-output-bin-name
 *document-output-pages
 *document-page-overrides
 *document-page-rotation
 *document-print-quality
 *document-sides
 *document-stitching
 *document-trimming
 document-uri

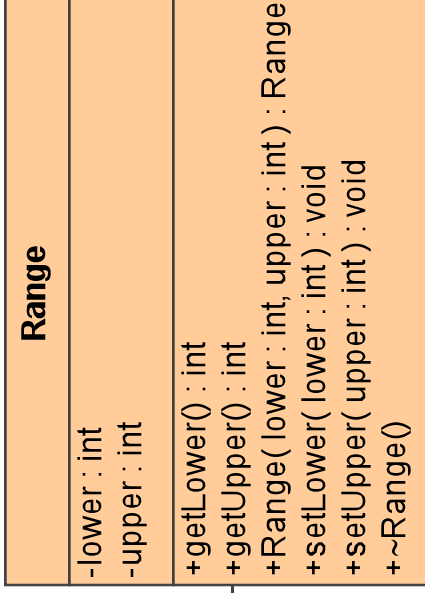
Valid get/set attributes:
 *no-binding
 *no-destination-uri
 *no-fit-policy
 *no-folding
 *no-hole-making
 *no-image-position-x
 *no-image-position-y
 *no-image-shift-back-x
 *no-image-shift-back-y
 *no-image-shift-front-x
 *no-image-shift-front-y
 *no-media
 *no-number-up
 *no-output-bin-name
 *no-page-rotation
 *no-pages
 *no-sides
 *no-stitching
 *no-trimming

PageOverrides	
-pages: Range	
++defineAttributes(name: text, type: ValueTypeEnum, multivalued: boolean)	
+get(attributeName: text): Attribute	
++getAttributesNames(): ListOfText	
+PageOverrides(pages: Range, mediaToUse: Media): PageOverrides	
+set(attribute: Attribute)	
+~PageOverrides()	



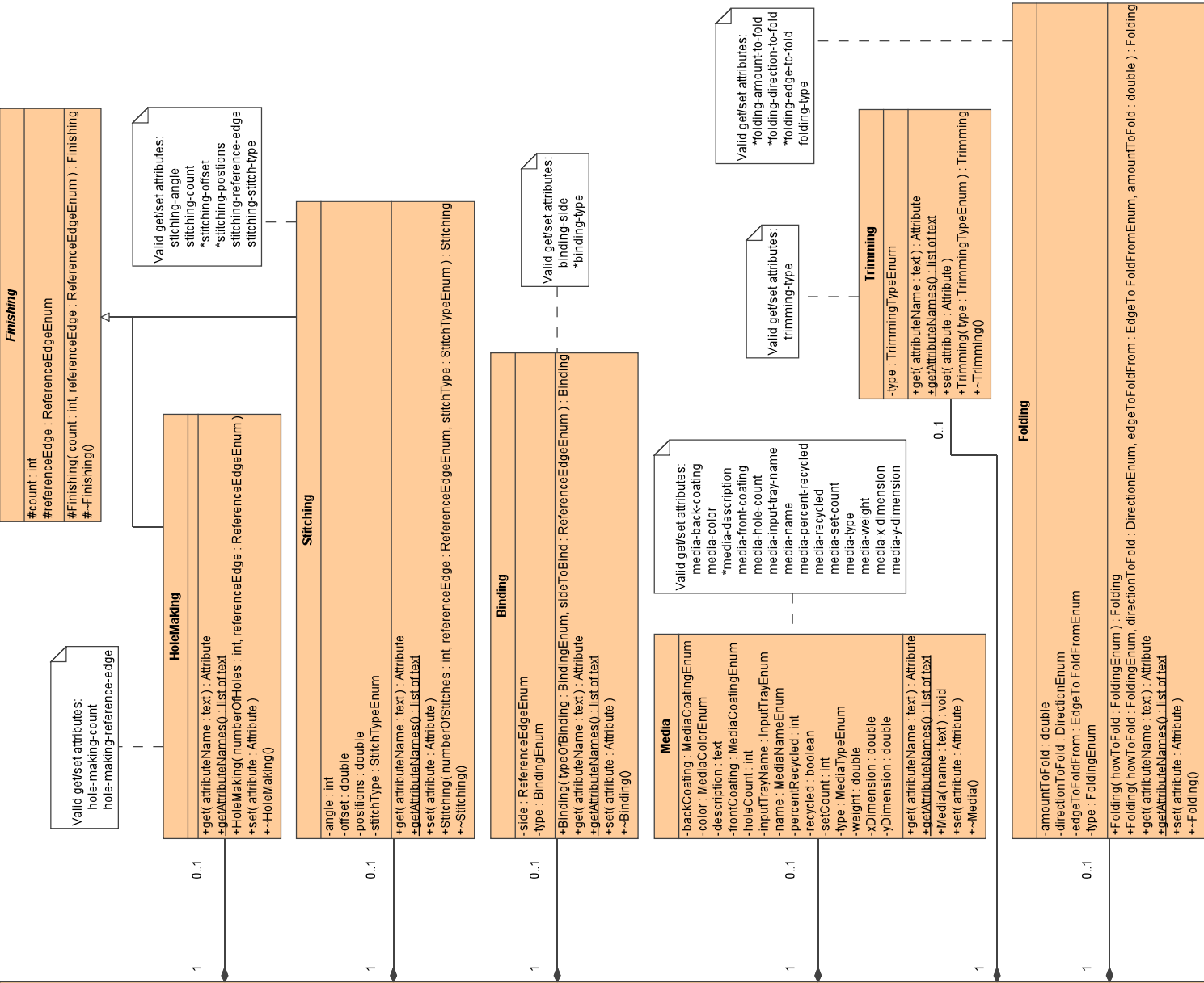


PageOverrides



1

1



Enumerations that are text so they are extensible:

BindingEnum
 DocumentFormatEnum
 FoldingEnum
 HoldEnum
 InputTrayEnum
 JobTicketTypeEnum
 MandatoryAttributesEnum
 MediaColorEnum
 MediaNameEnum
 MediaTypeEnum
 NumberUpEnum
 OutputBinEnum
 SubscriptionEventEnum
 ValueTypeEnum

Enumerations that are integers so they are not extensible:

CollateEnum
 CompressionEnum
 ContactInfoTypeEnum
 DirectionEnum
 EdgeToFoldFromEnum
 FeedOrientationEnum
 FitPolicyEnum
 ImagePositionEnum
 JogOffsetEnum
 MediaCoatingEnum
 PageDeliveryEnum
 PositionEnum
 PrintQualityEnum
 ReferenceEdgeEnum
 RotationEnum
 SidesEnum
 SeparatorSheetEnum
 SheetsSideEnum
 StitchTypeEnum
 TrimmingTypeEnum

<<enumeration>> BindingEnum	TAPE PERFECT NONE
---------------------------------------	-------------------------

<<enumeration>> CollateEnum	SHEET SHEET_AND_JOB NONE NOT_SET
---------------------------------------	---

<<enumeration>> CompressionEnum	NOT_SET NONE COMPRESS DEFLATE GZIP
---	--

<<enumeration>> ContactInfoTypeEnum	NOT_SET ADMINISTRATOR ACCOUNTING CUSTOMER DELIVERY PICKUP SUPPLIER SURPLUS_RETURN ART_RETURN
---	--

<<enumeration>> DirectionEnum	DOWN UP NOT_SET
---	-----------------------

<<enumeration>> DocumentFormatEnum	AFPS ASCII PCL PDF PS TEXT PCL6 OTHER PPML
--	--

<<enumeration>> EdgeTo FoldFromEnum	FRONT LEFT NOT_SET
---	--------------------------

<<enumeration>> FeedOrientationEnum	NOT_SET LONG_EDGE_FIRST SHORT_EDGE_FIRST
---	--

<<enumeration>> FitPolicyEnum	NOT_SET FIT_TO_PAGE CLIP_TO_MAX_PAGE
---	--

<<enumeration>> FoldingEnum	Z SADDLE CUSTOM NONE
---------------------------------------	-------------------------------

<<enumeration>> HoldEnum	NOT_SET NO_HOLD INDEFINITE
------------------------------------	----------------------------------

<<enumeration>> ImagePositionEnum	NOT_SET NONE BOTTOM CENTER LEFT RIGHT TOP
---	---

<<enumeration>> InputTrayEnum	ALTERNATE AUTO_ENVELOPE_FEED AUTOMATIC_TRAY AUTO_SELECT AUXILIARY_ENVELOPE AUXILIARY_PAPER BOTTOM CAPACITY_2000_SHEET CONTINUOUS_FORM_FEED CURRENT_SELECTED_TRAY ENVELOPE HIGH_CAPACITY_FEEDER LARGE_CAPACITY MAIN MANUAL MANUAL_ENVELOPE_FEED MIDDLE TOP TRAY_1 TRAY_2 TRAY_3 SIDE
---	--

<<enumeration>> JobTicketTypeEnum	JDF PWG AUTO_DETECT
---	---------------------------

<<enumeration>> JogOffsetEnum	BETWEEN_JOB_COPIES BETWEEN_JOBS BETWEEN_JOB_COPIES_AND_JOBS NONE NOT_SET BETWEEN_DOC_COPIES BETWEEN_DOC_COPIES_AND_DOCS
---	---

<<enumeration>> MandatoryAttributesEnum	NONE ALL
---	-------------

<<enumeration>> MediaCoatingEnum	NOT_SET GLOSS HIGH_GLOSS MATTE SATIN SEMI_GLOSS NONE
--	--

<<enumeration>> MediaColorEnum
BLACK
BLUE
BROWN
BUFF
GOLD
GOLDENROD
GRAY
GREEN
IVORY
MULTI_COLOR
MUSTARD
NO_COLOR
ORANGE
PINK
PURPLE
RED
SILVER
TURQUOISE
USER_COLOR
VIOLET
WHITE
YELLOW
Each of the above with a DARK_ prefix
Each of the above with a LIGHT_ prefix

<<enumeration>> NumberUpEnum
1_Y_AXIS_1_X_AXIS
1_Y_AXIS_2_X_AXIS
2_Y_AXIS_2_X_AXIS

<<enumeration>> OutputBinEnum
BOTTOM
FACE_DOWN
FACE_UP
LARGE_CAPACITY
LEFT
MIDDLE
RIGHT
SIDE
STACKER_1
STACKER_2
STACKER_3
SYSTEM_DEFINED
TOP
TRAY_1
TRAY_2
TRAY_3
UPPER
MAIN

<<enumeration>> MediaTypeEnum
FULL_CUT_TABS
LETTER_HEAD
PAPER
PRE_CUT_TABS
STATIONERY
TAB_STOCK
TRANSPARENCY

<<enumeration>> MediaNameEnum
A3
A4
A4_TAB
A5
B4
B4_JIS
EXECUTIVE
FOLIO
LEDGER
LETTER
LETTER_TAB
STATEMENT
10_X_14_IN
10_X_15_IN
8_X_10_IN
8_X_10_5_IN
8_X_13_IN
8_25_X_13_IN
170_X_210_MM
182_X_210_MM
CUSTOM
LEGAL

<<enumeration>> PrintQualityEnum
NOT_SET
DRAFT
HIGH
NORMAL

<<enumeration>> ReferenceEdgeEnum
BOTTOM
LEFT
RIGHT
TOP
NOT_SET

<<enumeration>> RotationEnum
0_DEGREES
180_DEGREES
270_DEGREES
90_DEGREES
NOT_SET

<<enumeration>> SeparatorSheetEnum
AFTER_JOB
BETWEEN_DOC_COPIES
AFTER_EACH_DOC_COPY
BEFORE_JOB
BEFORE_EACH_DOC_COPY
BETWEEN_JOB_COPIES
NOT_SET

<<enumeration>> SheetSideEnum
FRONT
BACK
NOT_SET

<<enumeration>> SidesEnum
ONE_SIDED_BACK_FLIP_X
ONE_SIDED_BACK_FLIP_Y
ONE_SIDED_FRONT
TWO_SIDED_FLIP_X
TWO_SIDED_FLIP_Y
NOT_SET

<<enumeration>> StitchTypeEnum
CORNER
SADDLE
SIDE
NONE
NOT_SET

<<enumeration>> SubscriptionEventEnum
JOB_CREATED
JOB_COMPLETED
JOB_STOPPED
JOB_PROGRESS
JOB_CONFIG_CHANGED

<<enumeration>> TrimmingTypeEnum
NOT_SET
NONE
ON

<<enumeration>> ValueTypeEnum
BOOLEAN
COLLATE_ENUM
DOCUMENT_FORMAT_ENUM
INTEGER
JOG_OFFSET_ENUM
POSITION_ENUM
RANGE
REFERENCE_EDGE_ENUM
SEPARATOR_SHEET
SIDES_ENUM
SHEET_SIDE_ENUM
STITCH_TYPE_ENUM
STRING
FOLDING
DIRECTION_ENUM
EDGE_TO_FOLD_FROM_ENUM
DOUBLE
JT_TYPE_ENUM
NUMBER_UP_ENUM
PAGE_DELIVERY_ENUM
ROTATION_ENUM
DATE_TIME
INSERT_SHEET
MEDIA
NOTIFICATION
PAGE_OVERRIDES
HOLE_MAKING
STITCHING
BINDING
INPUT_TRAY_ENUM
MANDATORY_ATTRIBUTES_ENUM
MEDIA_COLOR_ENUM
MEDIA_NAME_ENUM
MEDIA_TYPE_ENUM
OUTPUT_BIN_ENUM
COMPRESSION_ENUM
FIT_POLICY_ENUM
IMAGE_POSITION_ENUM
MEDIA_COATING_ENUM
PRINT_QUALITY_ENUM
SEPARATOR_SHEET_ENUM
FOLDING_ENUM
HOLD_ENUM
BINDING_ENUM
TRIMMING_TYPE_ENUM
FEED_ORIENTATION_ENUM
SUBSCRIPTION_EVENT_ENUM