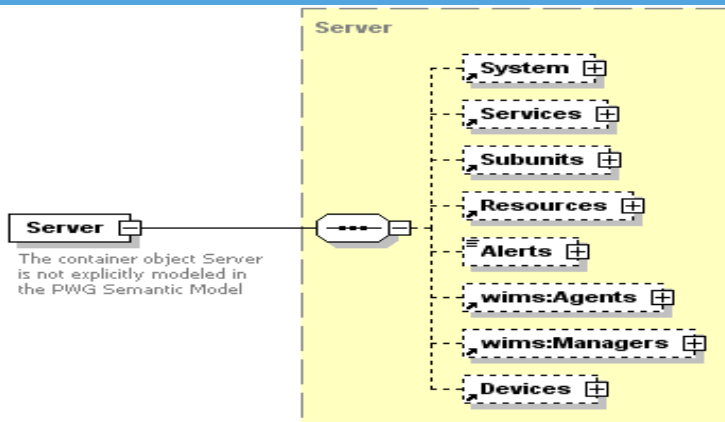


PWG Quarterly February 2007 PWG Semantic Model Project Status

Peter Zehler
Xerox Corporation
2007/02/16 V0.1



PWG Semantic Model Project2

- Version 1 originally written to make all of the IPP Model more approachable. Single document less than 70 pages vs. more than 15 documents totaling more than 1500 pages
- Version 1 did not define any semantics. It gave a terse description and referenced the associated document.
- Version 1 limited to IPP (i.e. Print Service)
- XML Schema published (Simple IPP Web Service created for UPnPv2 Printing)

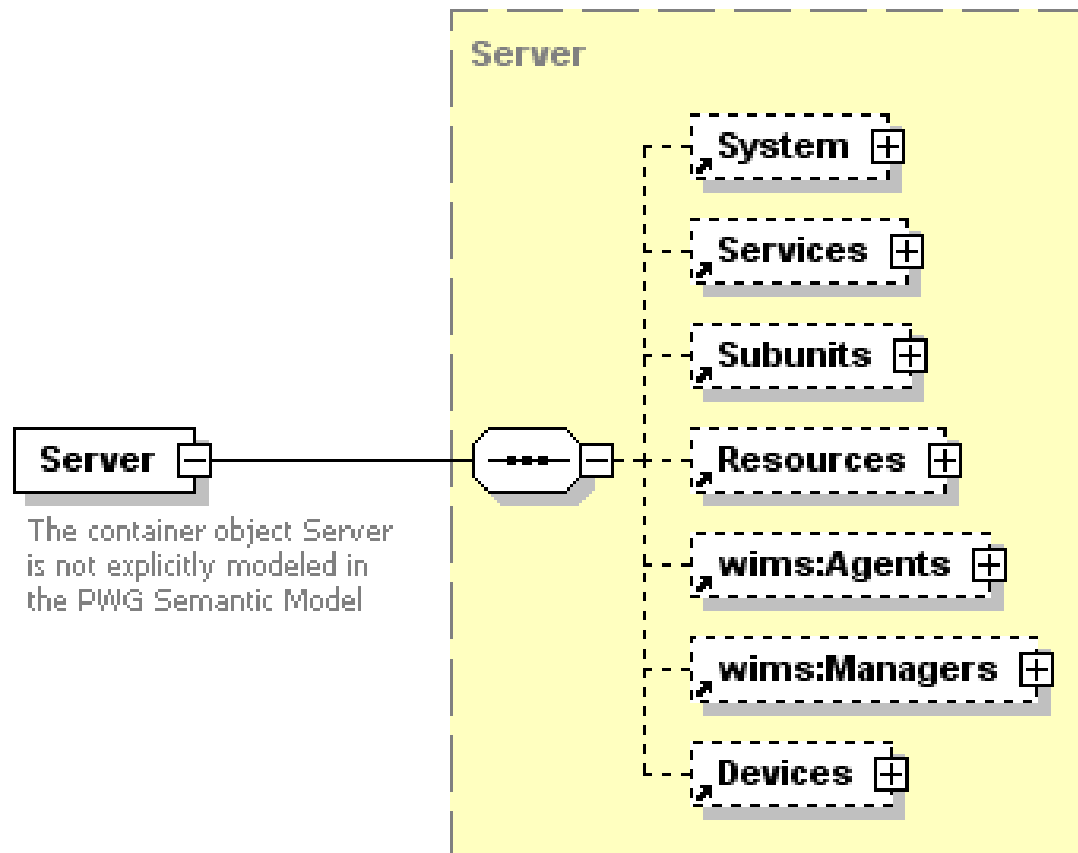
PWG Semantic Model Project

- Version 2 expands scope to the Services of multifunction devices (e.g. FaxOut, Scan, Copy)
- Version 2 includes Device semantics (e.g. Input Trays, Media Path).
- Although the Print Service is well defined other services (e.g. FaxOut, Scan, Copy) do not have a PWG definition or specification

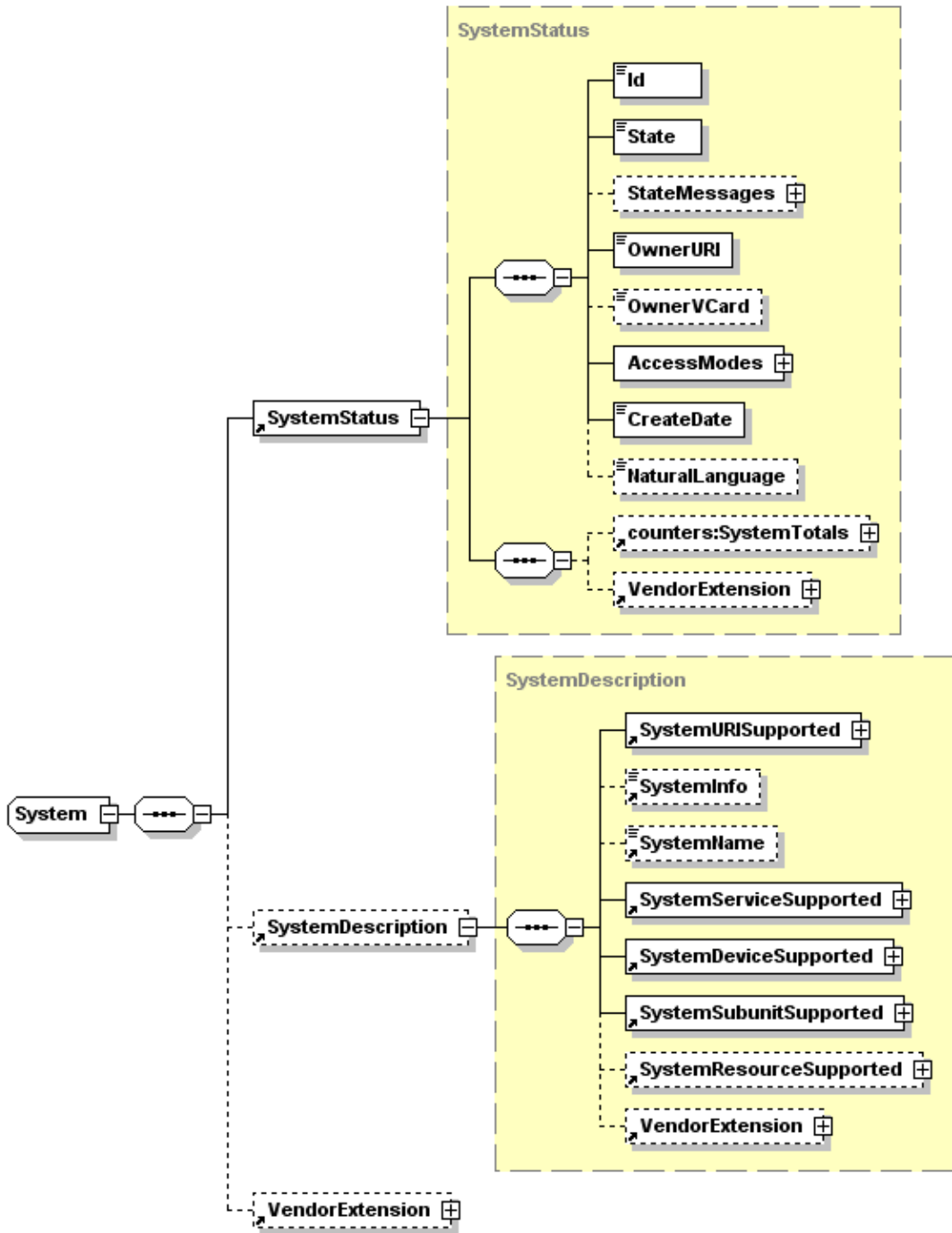
- Bring the PWG Semantic model up to date with multifunction devices
 - Initial effort is to “sketch out” model using XML Schema
 - Expand the Service/Job/Document definitions to accommodate multifunction
 - Finalize Model by Service specific model specifications
 - Prioritize services and focus work to push specification(s) through
 - Update PWG Semantic Model to incorporate approved specifications
- Incorporate Device aspects into model
 - Expand device (i.e. subunit) definitions for multifunction

- WSD-Print and WSD-Scan
 - Can these be incorporated
 - How do we rationalize divergences
- CIM
 - Mapping of subunits
 - Expansion into multifunction
 - Mapping of counting metrics

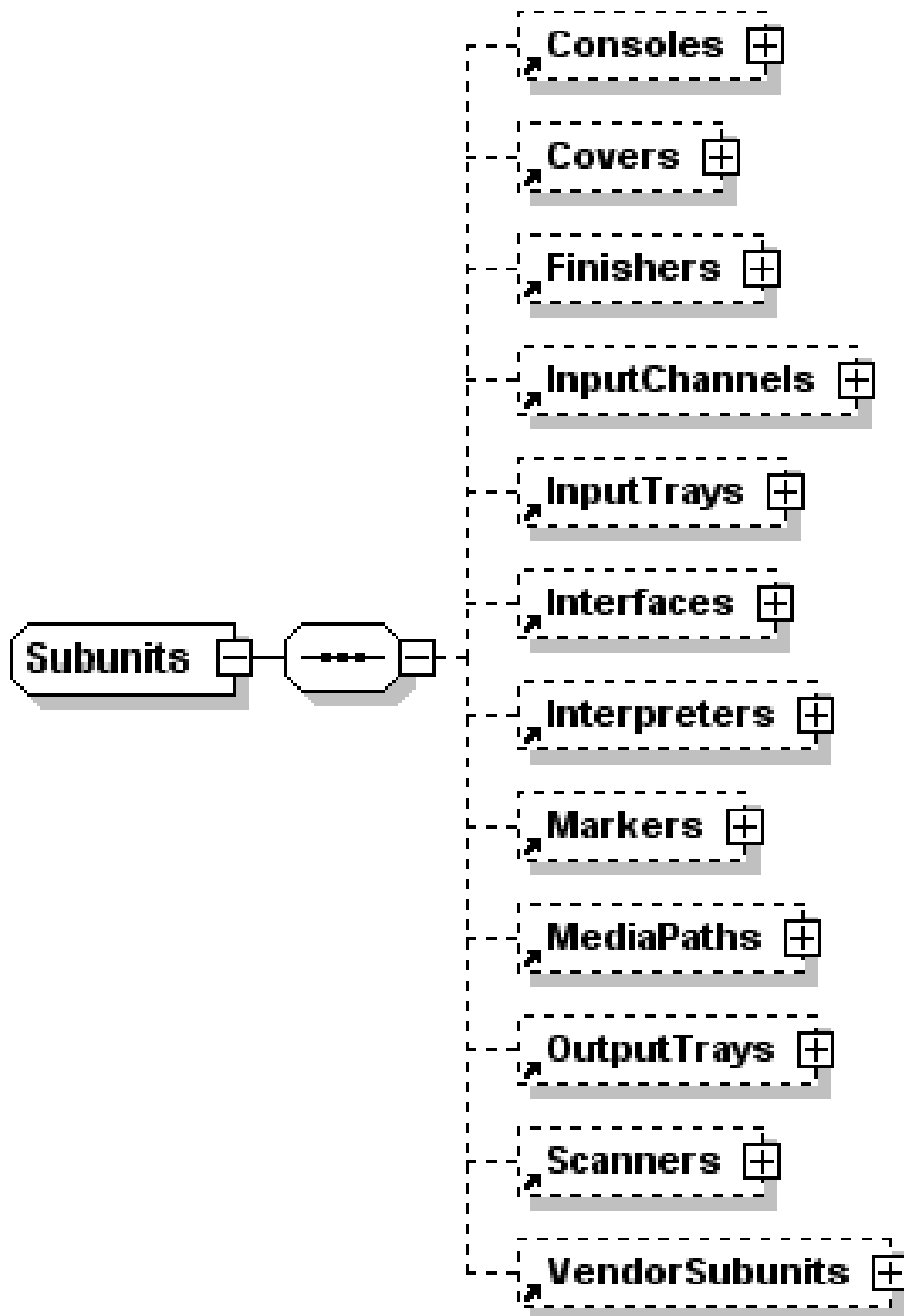
Server



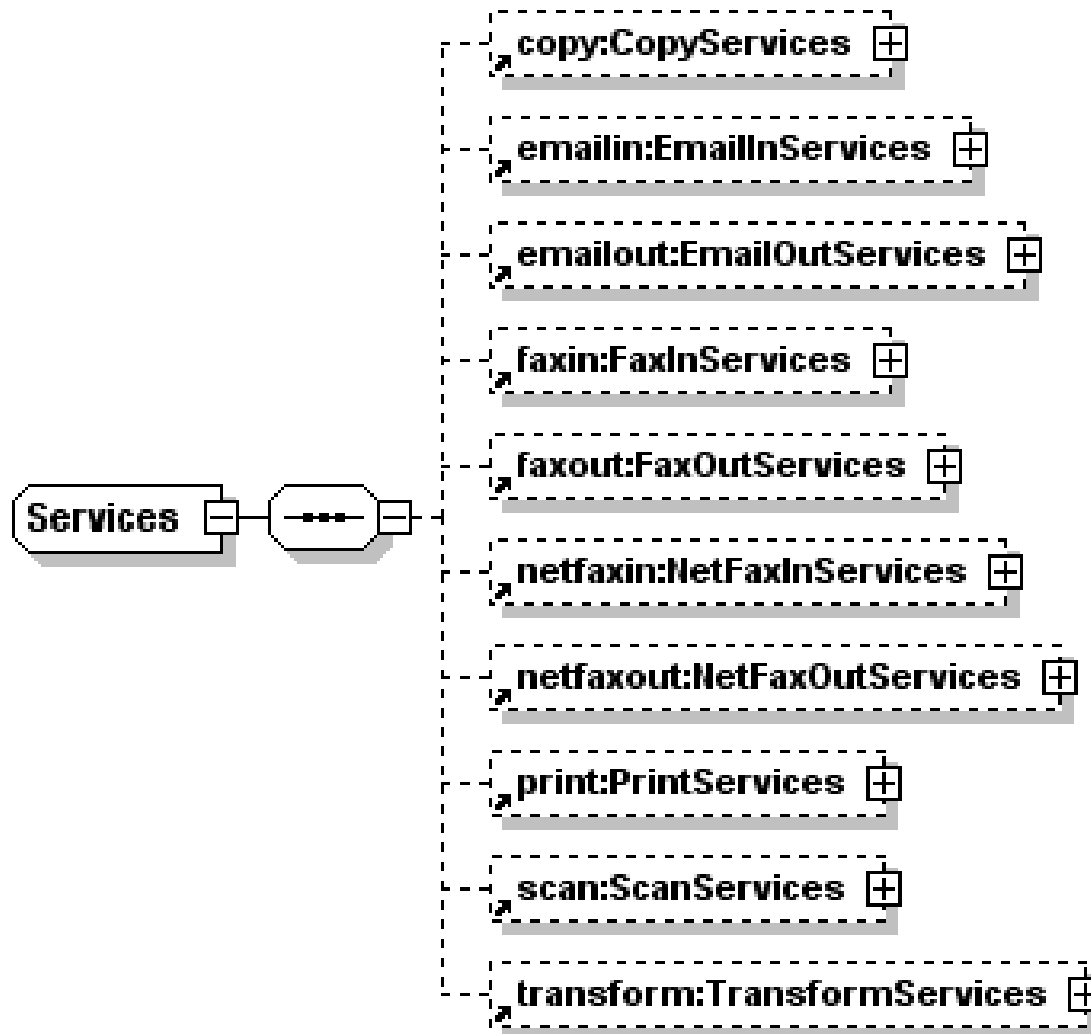
System



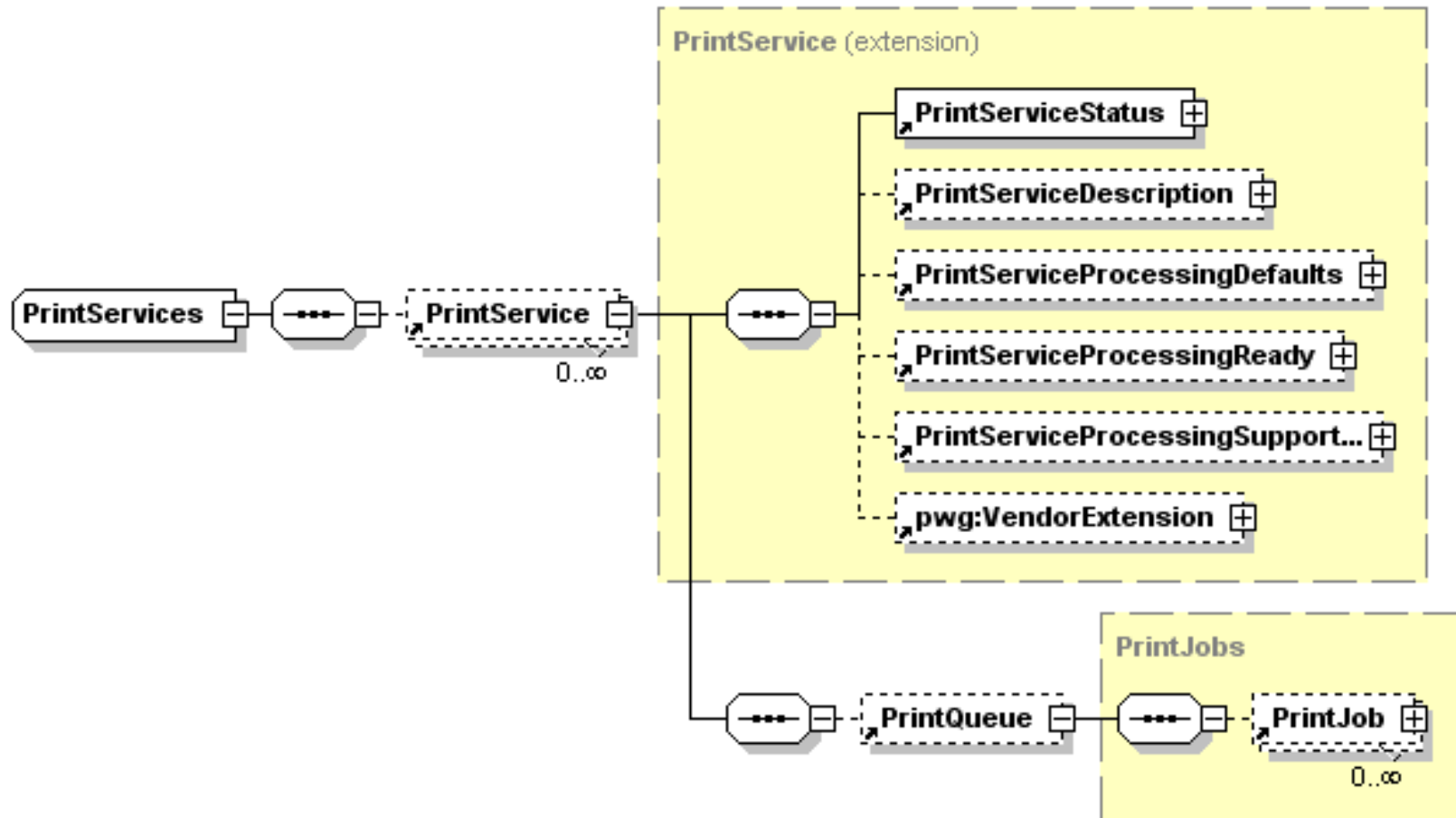
Subunits



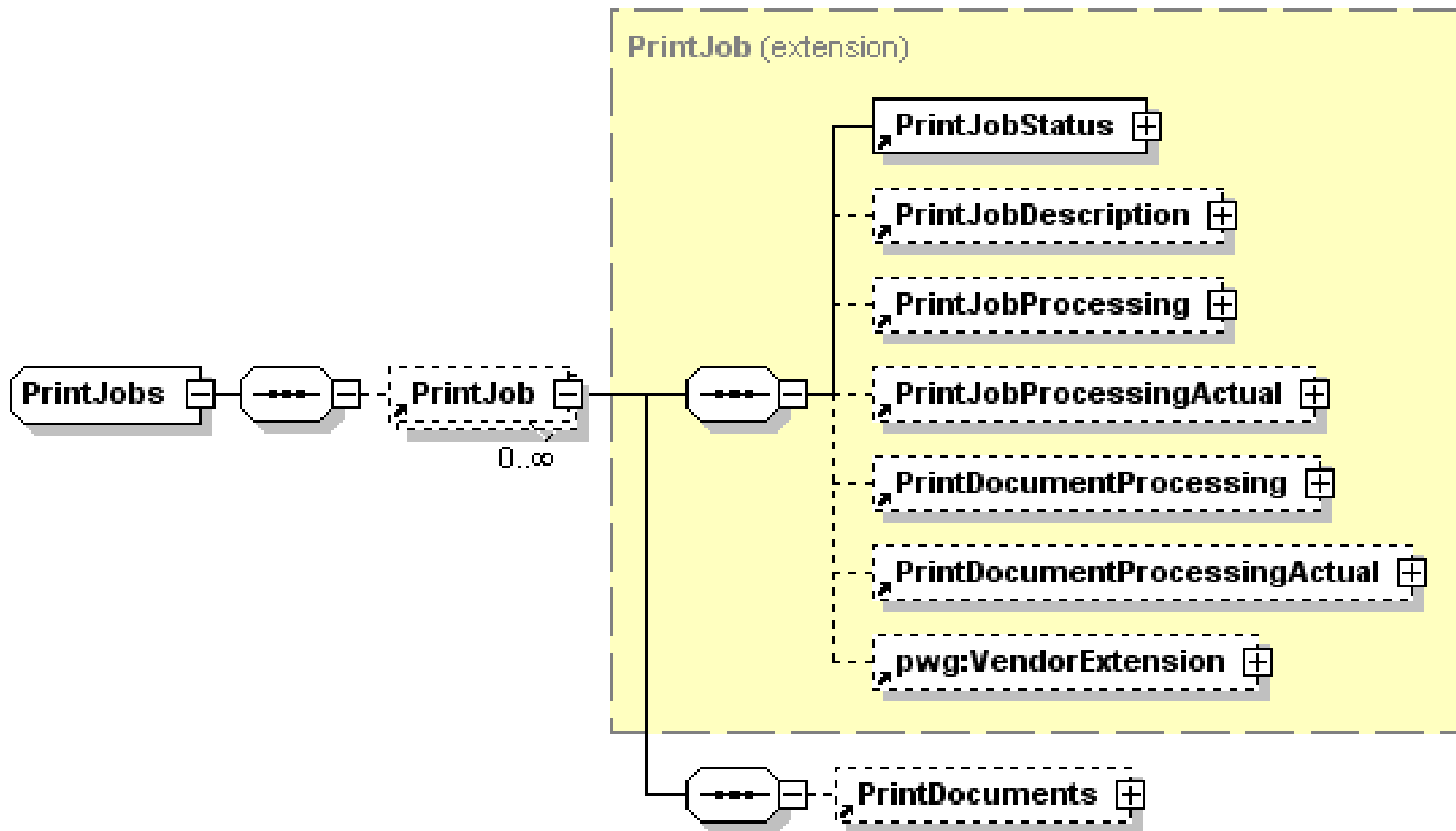
Services



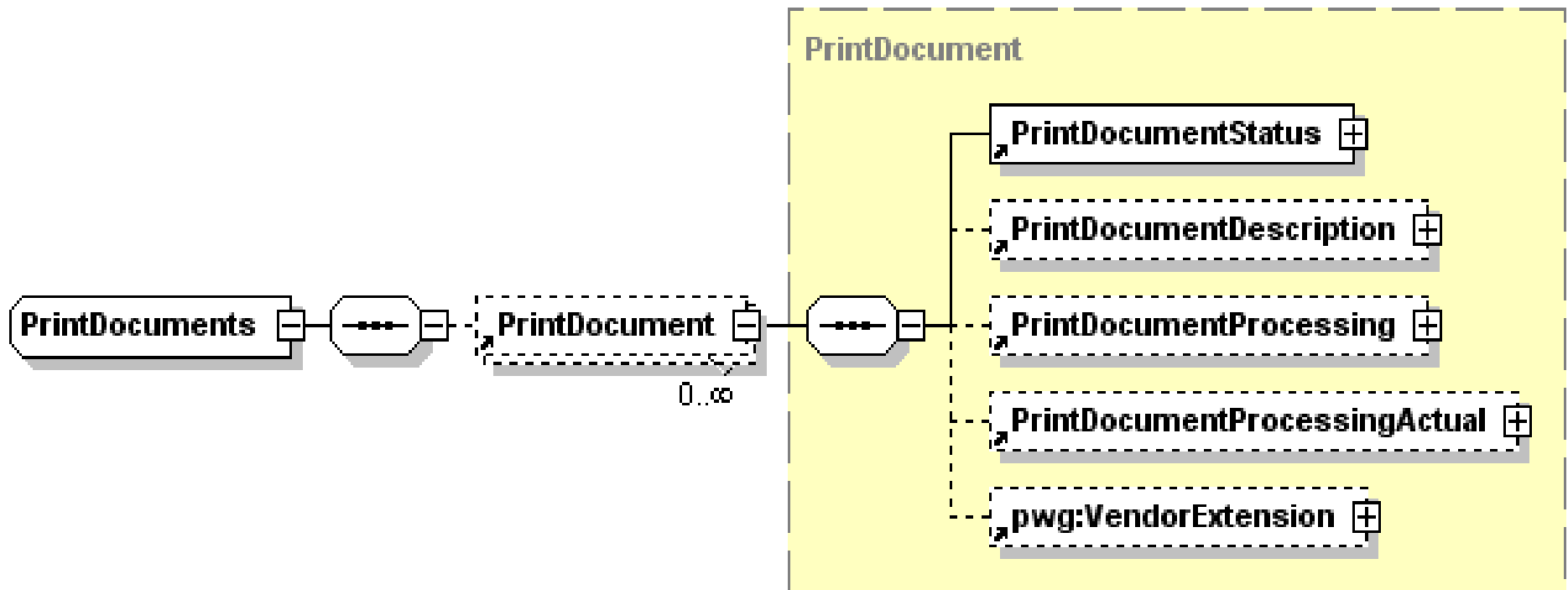
Service



Job



Document



Current State

- Version 1 published
- Version 2 Schema “sketch” exists.
 - Need to flesh out Services with operations
 - Need to discuss relationships of Service, Job and Document across the services
 - Need to revisit Device and Subunits as well as Alerts and Reports

- **Is there PWG support for Semantic Model v2 ?**
 - Who
 - What level of support
 - Editors of Service specifications
 - Implementations

Questions?